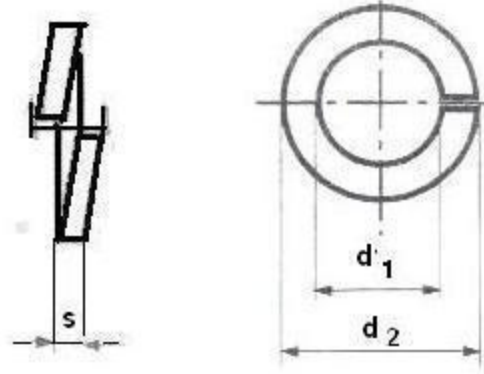


Helical Spring Lock Washers

DIN 127 B

Material: SWRH 57-62
HV 430 - 530



Unit: (m/m)

	For Screws	d ₁		d ₂	s	Tolerance
		min.	max.	max.		
M	2	2.1	2.4	4.4	0.5	±0.1
	(2.3)	2.4	2.7	4.9	0.6	
	2.5	2.6	2.9	5.1	0.6	
	(2.6)	2.7	3	5.2	0.6	
	3	3.1	3.4	6.2	0.8	
	(3.5)	3.6	3.9	6.7	0.8	
	4	4.1	4.4	7.6	0.9	
	(4.5)	4.7	5	8.4	1.2	
	5	5.1	5.4	9.2	1.2	
	6	6.1	6.5	11.8	1.6	
	(7)	7.1	7.5	12.8	1.6	±0.15
	8	8.1	8.5	14.8	2	
	10	10.2	10.7	18.1	2.2	
	12	12.2	12.7	21.1	2.5	±0.2
	(14)	14.2	14.7	24.1	3	
	16	16.2	17	27.4	3.5	
	(18)	18.2	19	29.4	3.5	
	20	20.2	21.2	33.6	4	
	(22)	22.5	23.5	35.9	4	
24	24.5	25.5	40	5		
(27)	27.5	28.5	43	5		
30	30.5	31.7	48.2	6		