

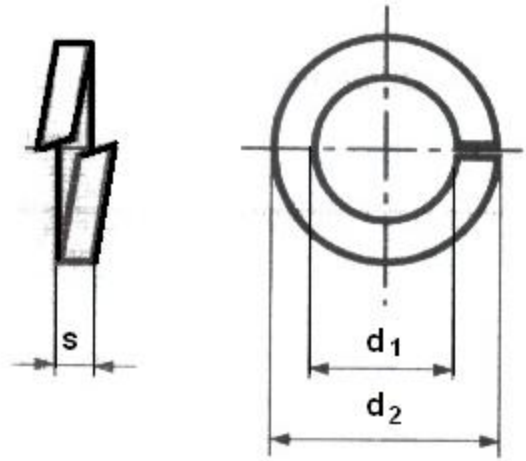
High Collar Lock Washers

for Socket Head Cap Screws

DIN 7980

Material: SWRH 57-62

HV 430 - 530



Unit: (m/m)

	For Screws	d ₁		d ₂	s
		min.	max.	max.	
M	3	3.1	3.4	5.6	1
	4	4.1	4.4	7	1.2
	5	5.1	5.4	8.8	1.6
	6	6.1	6.5	9.9	1.6
	8	8.1	8.5	12.7	2
	10	10.2	10.7	16	2.5
	12	12.2	12.7	18	2.5
	(14)	14.2	14.7	21.1	3
	16	16.2	17	24.4	3.5
	(18)	18.2	19	26.4	3.5
	20	20.2	21.2	30.6	4.5
	(22)	22.5	23.5	32.9	4.5
	24	24.5	25.5	35.9	5
	(27)	27.5	28.5	38.9	5
	30	30.5	31.7	44.1	6
36	36.5	37.7	52.2	7	